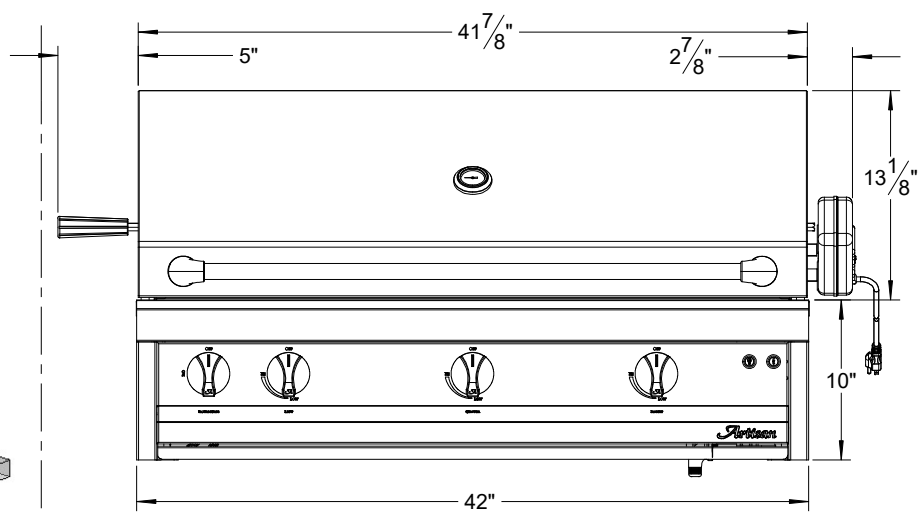
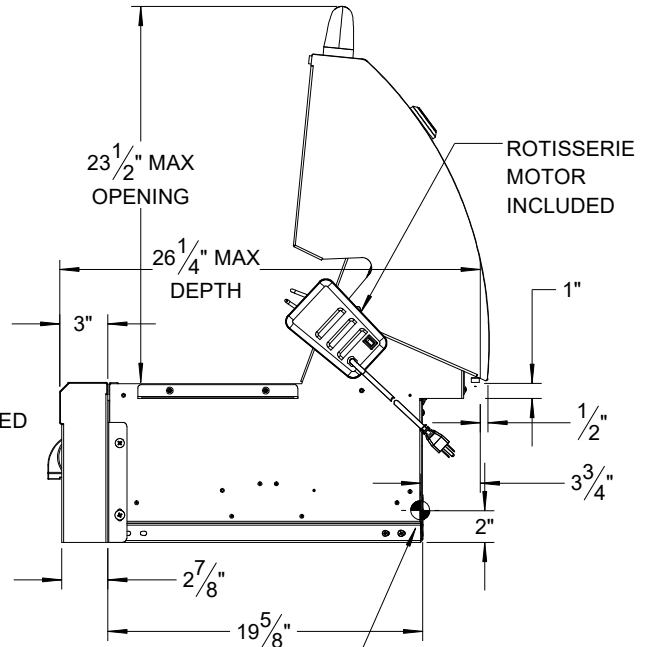
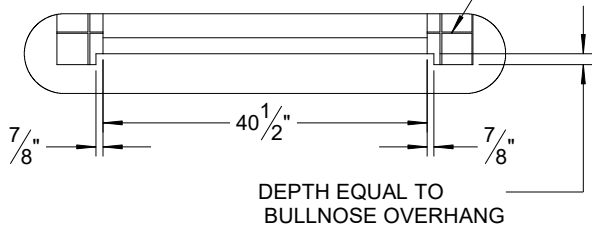
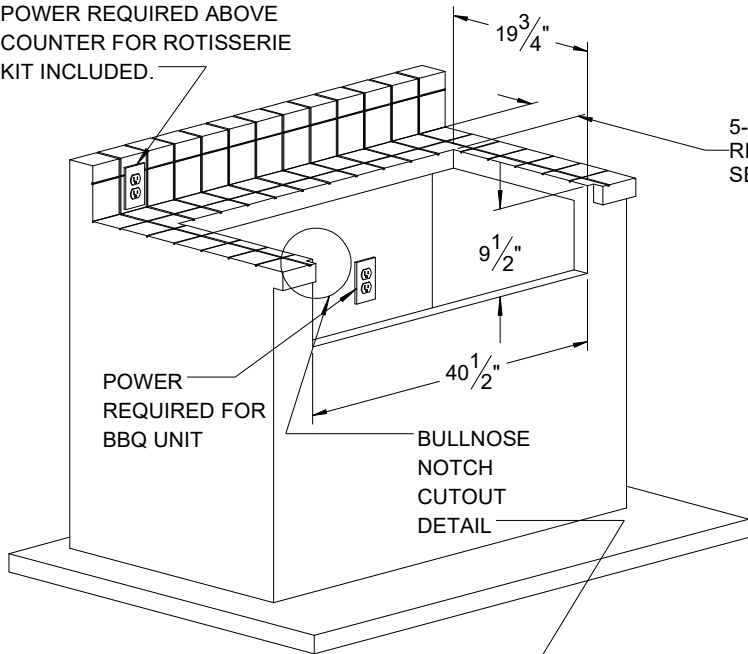


TYPICAL ARTP-42 INSTALLATION

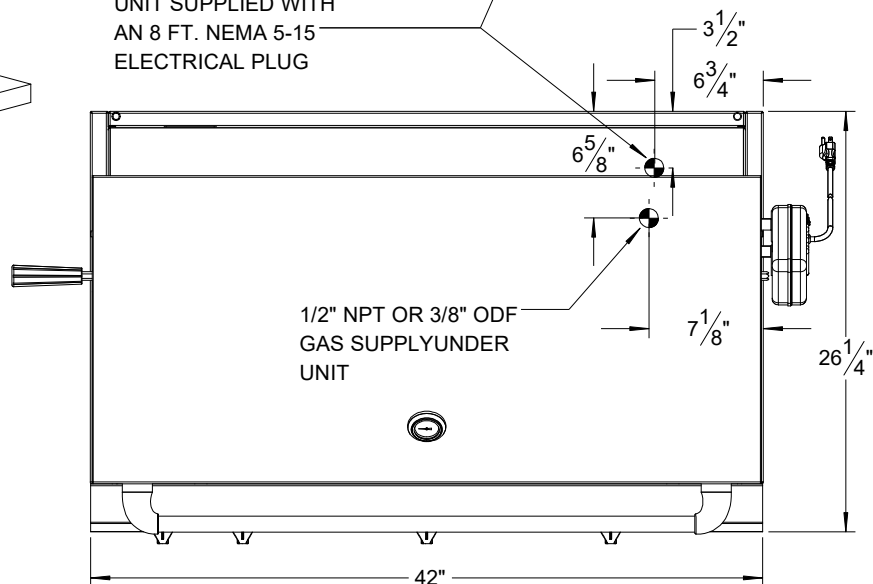


COUNTERTOP CUTOUT REQUIREMENTS

POWER REQUIRED ABOVE COUNTER FOR ROTISSERIE KIT INCLUDED.



UNIT SUPPLIED WITH AN 8 FT. NEMA 5-15 ELECTRICAL PLUG



SPECIFICATIONS:

BTUH = 92100
 FUEL NG @ 5 W.C. / LP @ 10 W.C.
 ELECTRICAL POWER: 115 VAC / 0.71AMPS / 60 Hz.
 GAS CONNECTION: 1/2" NPT (NG) OR 3/8" ODF (LP)

NOTE:
 COUNTER MUST HAVE THE PROPER GAS SUPPLY AND ELECTRICAL POWER FOR YOUR ARTISAN BBQ.